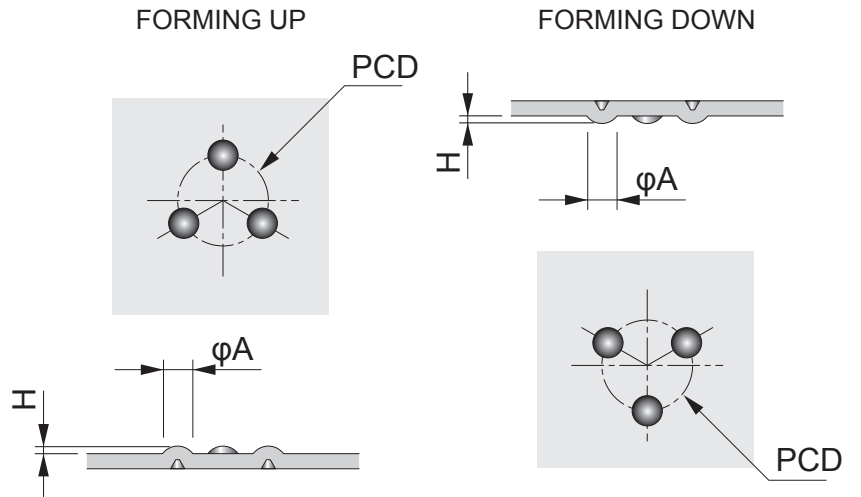


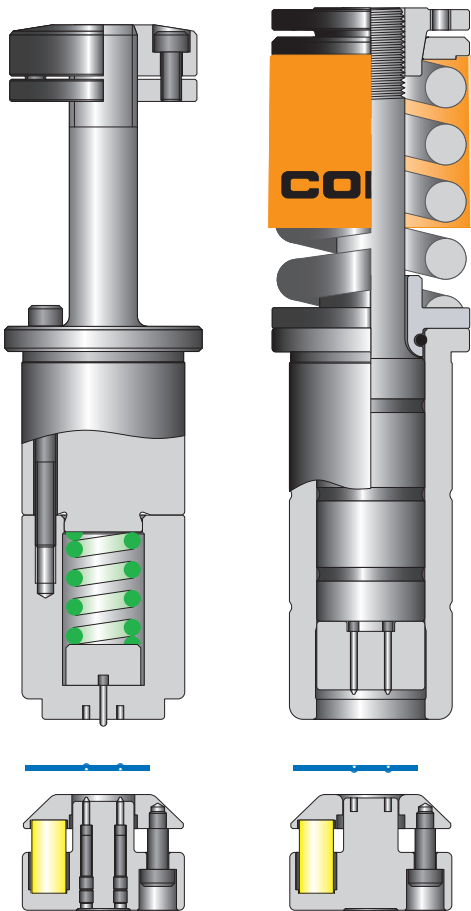
OUTLINE OF FORMING



TOOLING STRUCTURE (NC 1-1/4)

FORMING UP

FORMING DOWN



This is a process for forming a plurality of spherical projections.
Used for projection welding.

※ Projection welding is a method of providing projections of the metal member to the joint, the weld current to concentrate on that part.

NOTE

- 1) Please indicate the convex diameter (A), the number of convex part and PCD.
- 2) The number and arrangement of the convex can be specified arbitrarily.

For More information,
please contact
CONIC tool sales desk.

CONIC Co., Ltd.
10-5 Taiheidai, Shoo-cho, Katsuta-gun,
Okayama 709-4321 Japan
Email: tools@conic.co.jp
<https://www.conic.co.jp>

CONIC PRECISION Co., Ltd.
55/22 Moo 4, Buengkumphroy, Lumlukka,
Phatumthani 12150 Thailand
TEL: (662) 159-9870 FAX: (662) 159-9872
Email: conic_thai@conic.co.jp