



Dear all,

Happy New Year!! 😊

We hope this year will bring you much success and joy!!

Thank you for your continuous business with us.

The New Year has finally begun! 😊

New Year's Day is a very important day for the Japanese people.

There are many events and customs to celebrate New Year's Day.

On New Year's Eve, the Japanese eat soba noodles, a symbol of longevity, and listen to *Joya-no-kane*, the ringing of temple bells nearby. During *Shogatsu* (*Shogatsu* refers to New Year.) During *Shogatsu*, people eat special dishes called *Osechi*, and visit shrines and temples to pray for happiness. 😊

This event is called *hatsumoude*.

Some people climb up the mountain before dawn to see the first sunrise of the year. 😊



This time I will tell you about "Seijin no hi" that is a Japanese traditional ceremony.

"Seijin no Hi" (Coming-of-age day)

Japan has been making Coming of Age day, celebrating the transition into adulthood of those who turned 20 last year.

Once you become at adult, you can drink alcohol and smoke cigarettes.

The second Monday in January is a national holiday known as *Seijin no Hi* or Coming of Age day.

On the second Monday in January, each area in Japan will welcome the adults with a coming of age ceremony. The coming of age ceremony is a ritual to celebrate the new adults.

The girls prepare a *kimono* known as *Furisode* for their coming of age ceremony. *Kimono* are the traditional clothing of Japan.

The special feature of *Furisode* are the long sleeves.

Furisode give the most spectacular impression out of all *kimono* types.

The *furisode* worn by girls at the coming of age ceremony can later be worn at someone's wedding.

It is common for boys to wear a suit to their coming of age ceremony.

Some boys will wear a kimono with *haori-hakama*. *Haori* is a jacket worn over a kimono. *Hakama* are pleated, loose-fitted trousers.



Is there any adult celebration in your country? 😊

SUPER FIT GUIDE

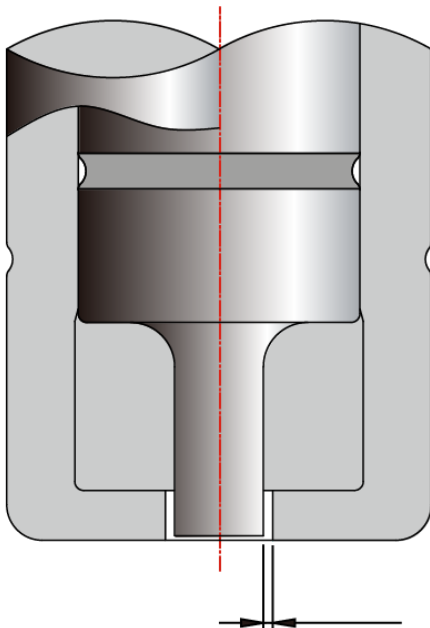
※For NC 1/2" & 1-1/4

This tool is used for stable processing of materials with protective sheets!

〈Examples of troubles unique to materials with protective sheets〉

- ① "Slug pulling" caused by the protective sheet not being cut securely.
- ② The slug and adhesive component of the protective sheet enter the guide through the gap between the guide hole and the punch blade edge.

Measure Tools



This is the POINT!

① SHAPE CORRESPONDING

Round, Standard square shape (Square, Rectangle, Obround, SD, WD), Square with radius, Rectangle with radius.

*Please ask us about special shapes and punches made by other companies.

② SPECIFICATIONS

- In principle, it corresponds to standard punch (Non-air blow).
- Please contact us as some surface treatment punches are not supported.

[SUPPORTED PRODUCT] Heavy duty punch (HDP), Conic long life punch (CLP), Conic hard punch (CHP).

[UNSUPPORTED PRODUCT] Supper dry punch (SDP)

Stable cutting of the protective sheet has been achieved by minimizing the gap between the guide holes!

Advice on one point!

The cutting force of the protective sheet is improved by making the die clearance 30% to 40% narrower than usual. However, it is recommended that you select a tool that is resistant to wear, such as M2 punches, because it is burden on the tool.