



Dear all,

Lately, you can feel the arrival of a full-fledged winter with the foliage and cold winds.

This year also passed quickly, and it became the last month of this year in no time.

Traditionally in Japan, December is called "Shiwasu".

There are various theories, but the etymology is known that in the past,

monks ran around the houses busy because of the chanting at the end of the year."

But it's not just the monks who run around busy. ☺

Modern people will be too busy at the end of the year.

It is during this period that everyone gets busy, such as "preparation for the New Year holidays".



"About year-end events and the customs at the end of the year in Japan"

Soon after Christmas, Japanese people start preparing for the year-end and New Year's events.

Compared to Christmas, many of these events are based on Japanese tradition

and are deeply related to religion. However, for most Japanese people,

it seems to be regarded as a custom rather than a religious act.

Relatives come together to celebrate the New Year.

We eat soba noodles (Buckwheat noodle) called "toshikoshi soba"

(year-crossing soba) to wish for a long lasting life. ☺

But why do you eat soba instead of udon?

In Japanese, "soba" has another meaning.

It means by, near or just around the corner.

So we eat soba noodles because the New Year is just around the corner.



Also, In December, end-of-year parties are organized in most workplaces.

The end-of-year party is called "bounenkai" in Japanese. "Bounen" means

to forget (the worries of) the past year. ☺

And many of the Japanese companies start their end-of-year holidays

from around the 28th of December.



We will inform you about our winter holidays at a later date. ☺

EASY JOINT TOOL

Significantly cut sheet metal total costs including the welding process!



The current problems

Let's reconfirm problems which this process has.

①Welding	②Spot welding	③Screw fixing
<ul style="list-style-type: none"> ●Needs a skilled worker ●Has distortion generated by the heat ●Needs after process (such as sanding) 	<ul style="list-style-type: none"> ●Generates distortion ●Can not make the gap or the like uniform due to the unstable result of processing ●Needs after process 	<ul style="list-style-type: none"> ●Has distortion ●Has a problem of appearance

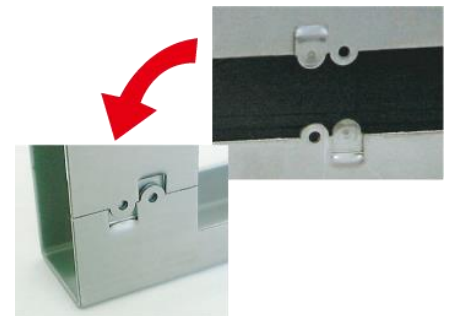
The common problems

- Takes time a lot
- Requires many hands
- Needs capital investment

Solution

This is a proposal for a new joint method! Different materials can be joined together!

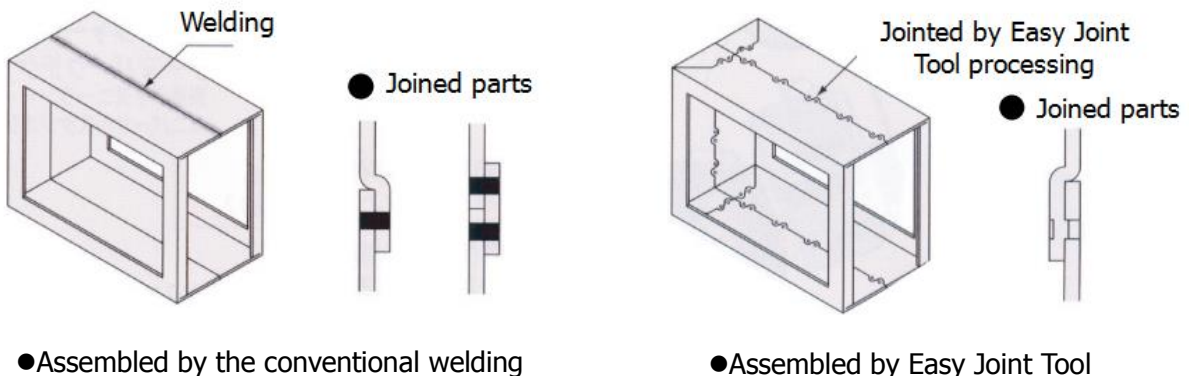
The mechanism is very simple.
You just fit attachment parts processed by this tool.
The customers who have already introduced it have reported many examples that have led to cost reduction and process improvement.



■Features

- "Easy Joint Tool" can save labor for a spot welding and a step-bending process on the combination part and joint part of the housing.
- "Easy Joint" processing eliminates not only jigs when assembling but also emboss and half shear processing for positioning because it has a positioning function for assembling parts.

■Comparison between Easy Joint Tool and welding when assembling a housing.





This is a soccer ball assembled using the "Easy Joint Tool" and without any welding.
Each part is assembled only by punch pressing using "Easy Joint Tool" and parts bent by press brake.

【METALEX 2019】

We exhibited at the 33rd METALEX 2019, the largest sheet metal exhibition in Southeast Asia held from November 20th to November 23rd, 2019 in Bangkok, Thailand. The entire exhibition was more than 100,000 visitors over 4 days. Many customers visited our booth and were able to finish it successfully.

We are also planning to exhibit at "Manufacturing Indonesia 2019" (<https://manufacturingindonesia.com/>) to be held in Indonesia in December. Please come and see our Conic booth when you visit the venue.

