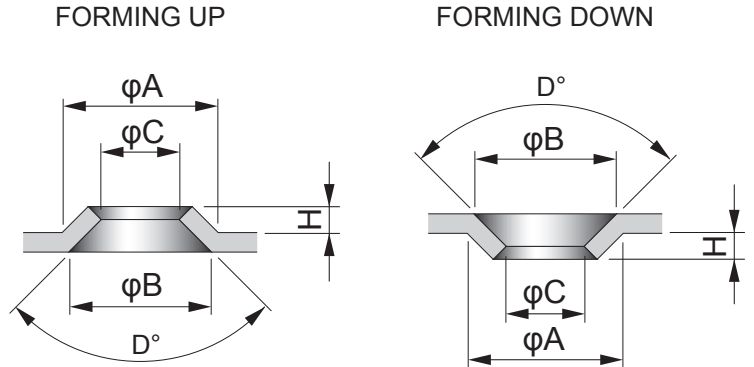
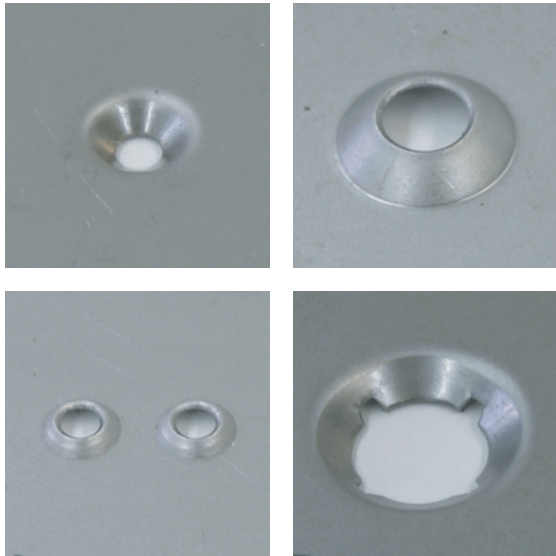


OUTLINE OF FORMING

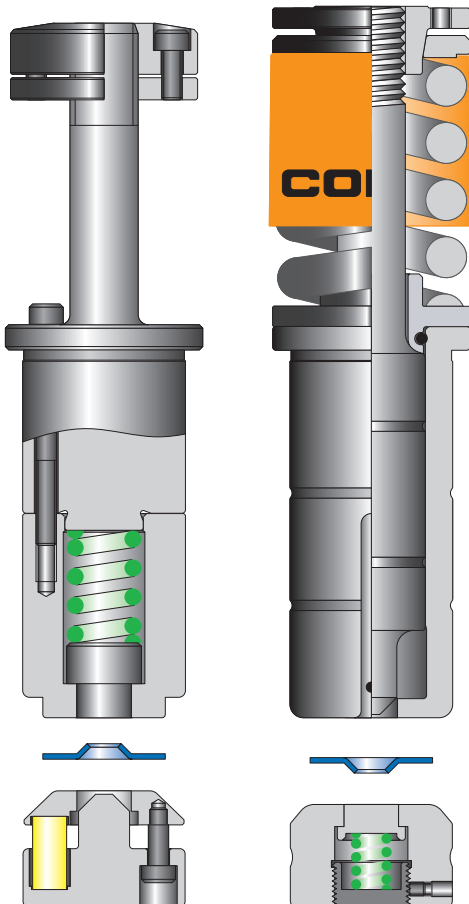


Forming process of embossing work, such as dish-shaped.
Used for sink a countersunk screw head , or used for nonslip.

TOOLING STRUCTURE (NC 1-1/4)

FORMING UP

FORMING DOWN



NOTE

- 1) Please indicate the dimension of (A or B), dimension C and angle D, when you order.
- 2) Pierce pre-hole before forming.

For More information,
please contact
CONIC tool sales desk.

CONIC Co., Ltd.
10-5 Taiheidai, Shoo-cho, Katsuta-gun,
Okayama 709-4321 Japan
Email: tools@conic.co.jp
<https://www.conic.co.jp>

CONIC PRECISION Co., Ltd.
55/22 Moo 4, Buengkumphroy, Lumlukka,
Phatumthani 12150 Thailand
TEL: (662) 159-9870 FAX: (662) 159-9872
Email: conic_thai@conic.co.jp