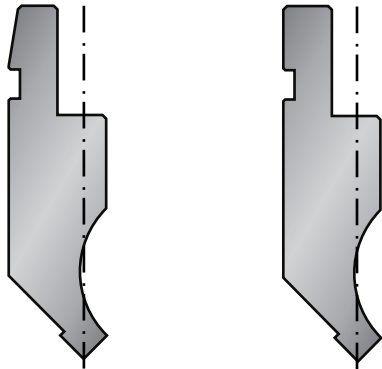


## TYPES OF PRESS BRAKE TOOLS

Tools for press brake are considered "safety first", and dies with fall prevention grooves are now standard.

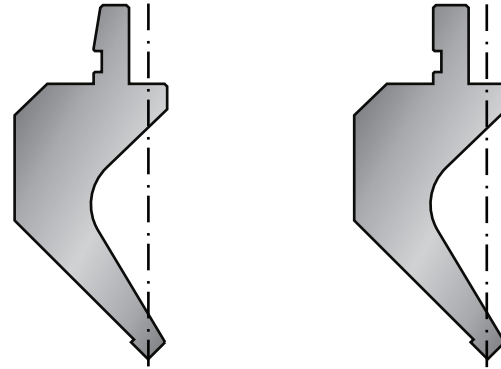
### ■ Typical punch clamp types and bending edge shapes

**STANDARD PUNCH**



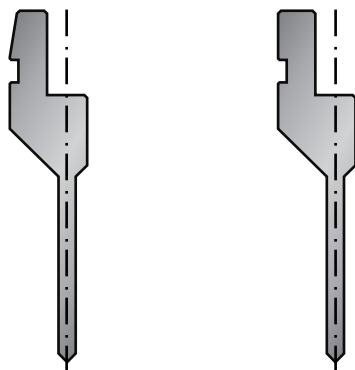
ONE TOUCH TYPE      WITH SAFETY GROOVE

**GOOSENECK PUNCH**



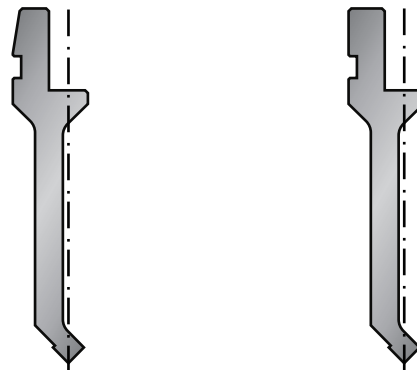
ONE TOUCH TYPE      WITH SAFETY GROOVE

**STRAIGHT PUNCH**



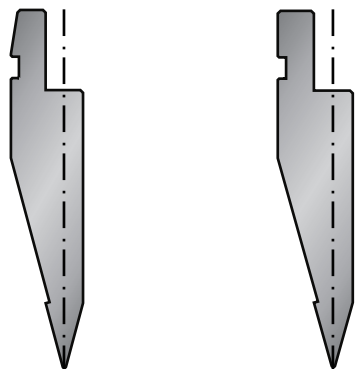
ONE TOUCH TYPE      WITH SAFETY GROOVE

**SASH PUNCH**



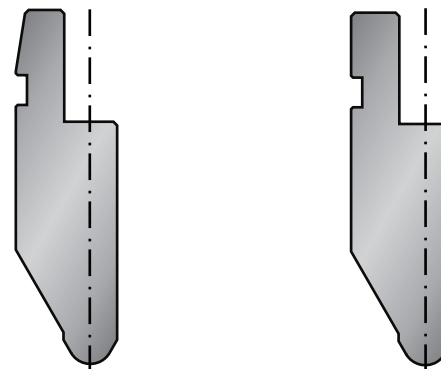
ONE TOUCH TYPE      WITH SAFETY GROOVE

**HEMMING PUNCH**



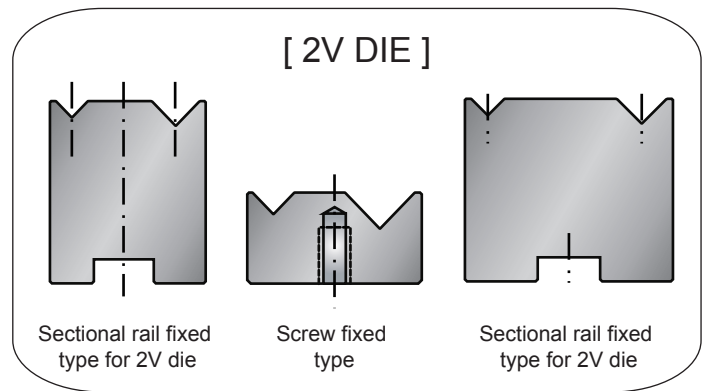
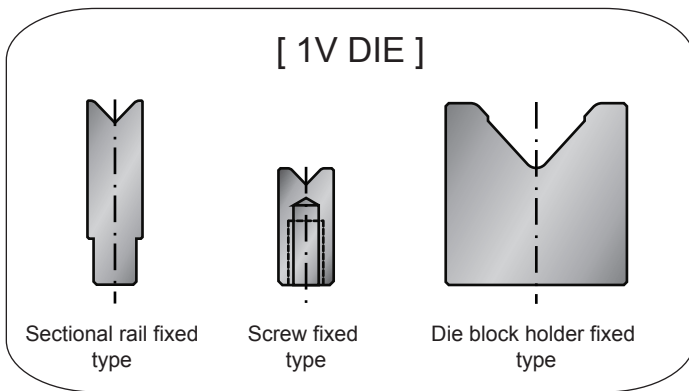
ONE TOUCH TYPE      WITH SAFETY GROOVE

**THICK PLATE PUNCH**



ONE TOUCH TYPE      WITH SAFETY GROOVE

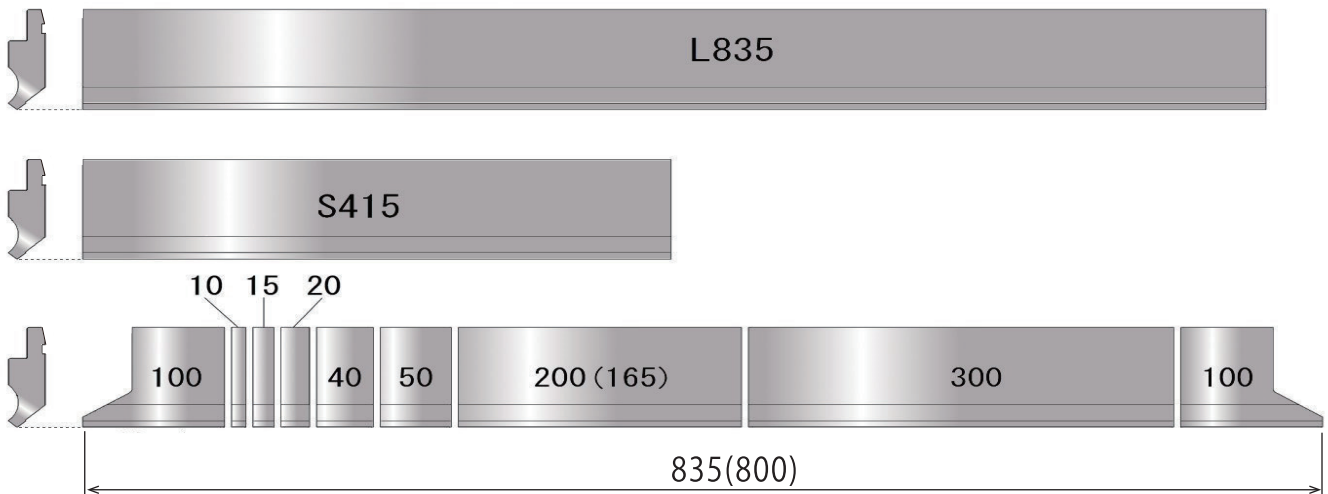
## ■ Typical die types and mounting methods



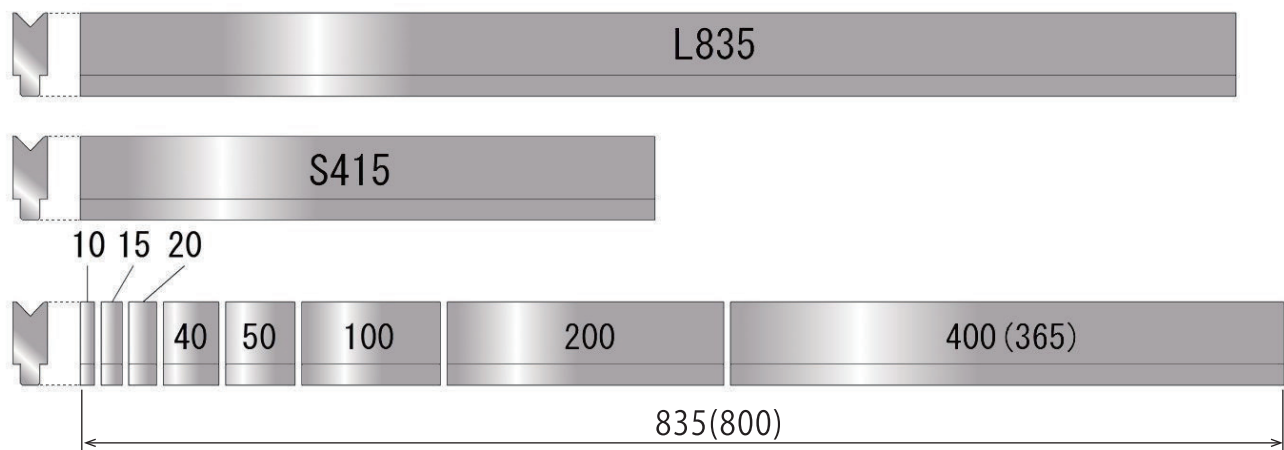
## TOOL LENGTH

In the case of Amada type, there are 4 types such as standard types: L = 835mm, S = 415mm, A section = 835mm and B section = 800mm

### < PUNCH >



### < DIE >



There are various types of bending dies depending on the situation as well as differences in cross-sectional shape and length. This time, we have listed typical ones, but Conic manufactures and sells not only standard types but also tools with shapes and lengths that meet customer needs. Please feel free to contact us.

For MORE information,  
please contact  
CONIC tool sales desk.

### CONIC Co., Ltd.

10-5 Taiheidai, Shoo-cho, Katsuta-gun,  
Okayama 709-4321 Japan  
Email: [tools@conic.co.jp](mailto:tools@conic.co.jp)  
<https://www.conic.co.jp>

### CONIC PRECISION Co., Ltd.

55/22 Moo 4, Buengkumphroy, Lumlukka,  
Phatumthani 12150 Thailand  
TEL: (662) 159-9870 FAX: (662) 159-9872  
Email: [conic\\_thai@conic.co.jp](mailto:conic_thai@conic.co.jp)