

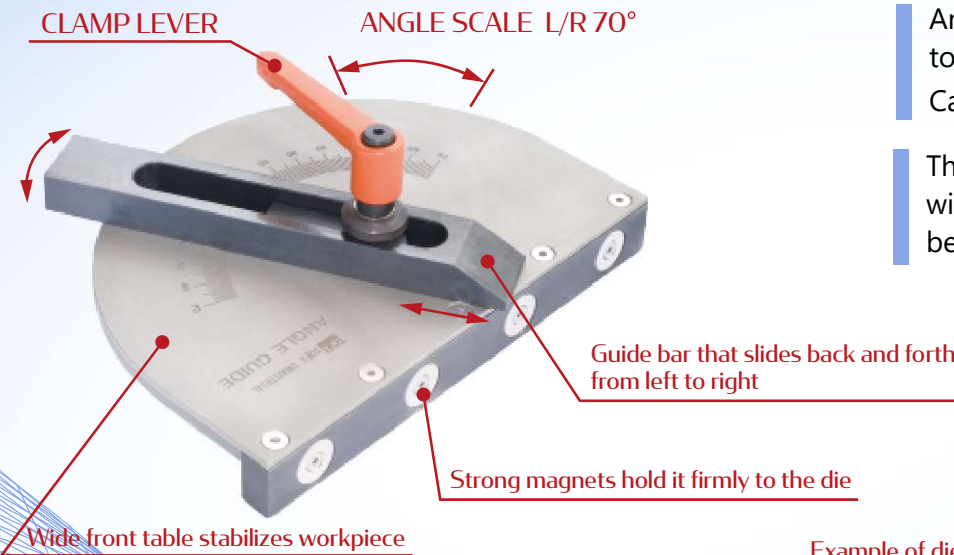
ANGLE GUIDE AG-1

It is ideal for angle bending, bending of narrow or small workpieces.

It can be bent at any desired angle!



Workpieces can be placed on the front table for safe processing without hand support.



Angle setting of right angle and 70° to the left and right is possible.
 Can be bent at any desired angle.

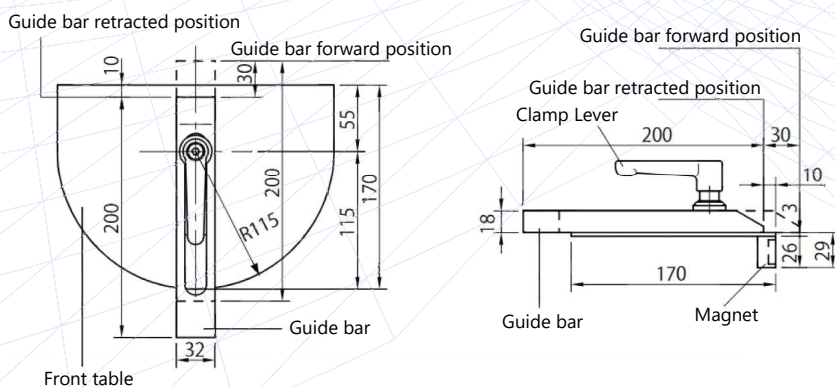
The guide bar slides in close contact with the V-groove, enabling stable bending of even small workpieces.

Manufacturer : Toei Industrial Co., Ltd.

Example of die installation



Specification



Front table outer diameter	W230 x L170
Guide bar dimensions	W32 x L200 x T18
Variable angle	Right angle, 70° to the left and right
Guide bar forward/backward adjustment range	30mm
Magnet	Neodymium magnet Φ20 x 4
Weight / Max. load capacity	Approx. 2.3kg/4kg

Installation Method

For safety reasons, please turn off the power to the machine before attaching or detaching the angle guide.



1. Attach the die to the body with a magnet.



2. Use a plastic hammer to adjust the position of the front table of the main unit and the top surface of the die so that they are aligned.



3. Align the scale line on the guide bar with the desired angle and start machining by placing the workpiece against the guide bar.



*If the clamp lever interferes with the punch or brake, it can be changed to any position by pulling up and turning the lever.

Cautions for angle bending



When machining angle bending, place the workpiece on the acute angle side of the front table. If a workpiece is placed on the obtuse angle side, the workpiece will interfere with the guide bar and cannot be processed.

Regarding the die holder to be used

When using 1V die for 60mm die height for sash, we recommend a die holder that clamps like a one-touch holder.

When the tool is magnetized

When the tool is strongly magnetized by a magnet, demagnetize it with a demagnetizer.

High Quality & Technology For The Future

CONIC

<https://www.conic.co.jp/en/>

10-5 Taiheidai, Shoo-cho, Katsuta-gun, Okayama
709-4321 Japan
TEL: +81 868-38-6154 FAX: +81 868 38 6331
Email : tools@conic.co.jp

Dealer

For inquiries about this product, please contact us.