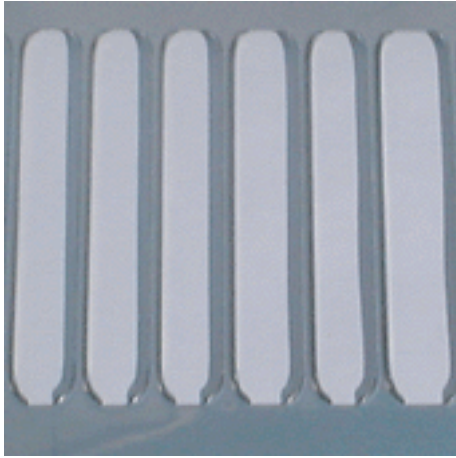
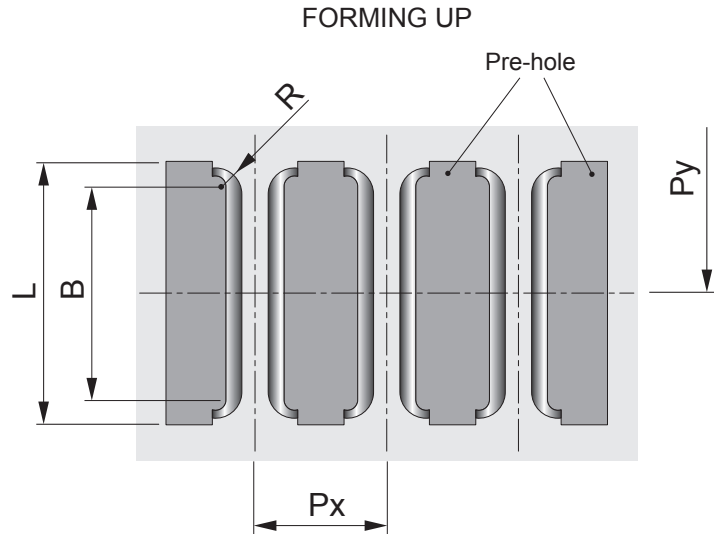


**CARD GUIDE**

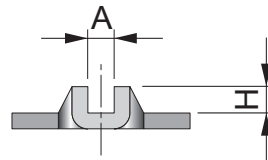
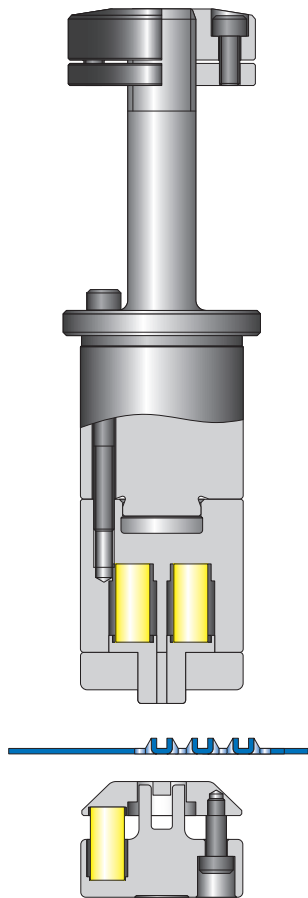


**OUTLINE OF FORMING**



**TOOLING STRUCTURE (NC 1-1/4)**

**FORMING UP**



Forming process to form U-groove for a printed circuit board.

**NOTE**

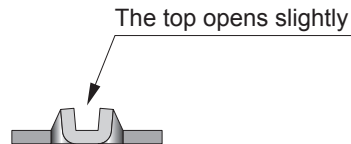
- 1) Please indicate the each dimension when you order.
- 2) Pre-hole will be a rectangle or special shape.

a) Rectangle

b) Special shape



- 3) U-groove will slightly open.



For **More** information,  
please contact  
CONIC tool sales desk.

**CONIC Co., Ltd.**

10-5 Taiheidai, Shoo-cho, Katsuta-gun,  
Okayama 709-4321 Japan  
Email: tools@conic.co.jp  
<https://www.conic.co.jp>

**CONIC PRECISION Co., Ltd.**

55/22 Moo 4, Buengkumproy, Lumlukka,  
Phatumthani 12150 Thailand  
TEL: (662) 159-9870 FAX: (662) 159-9872  
Email: conic\_thai@conic.co.jp