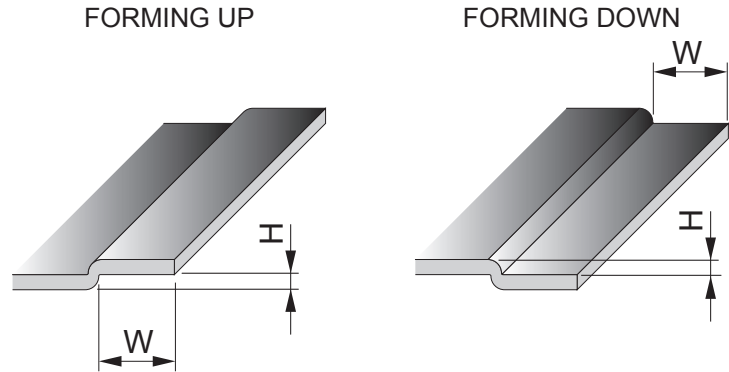


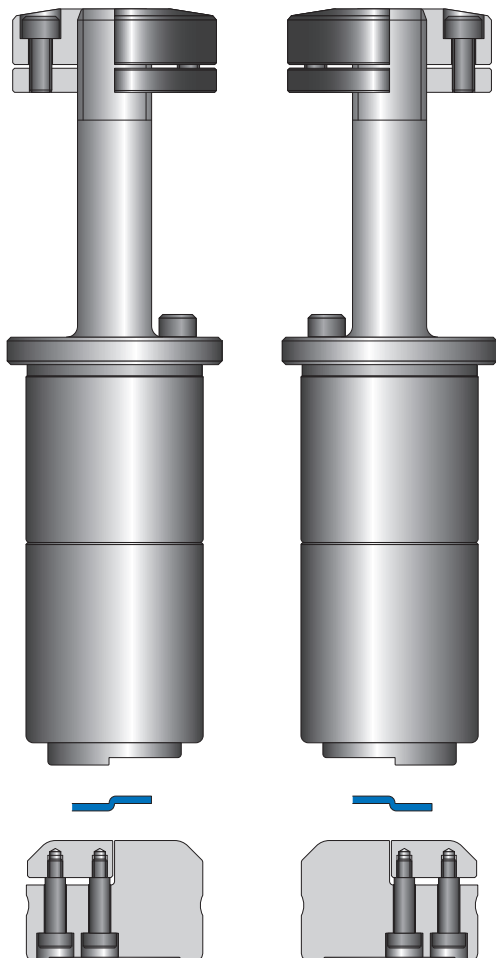
**OUTLINE OF FORMING**



**TOOLING STRUCTURE (NC 1-1/4)**

FORMING UP

FORMING DOWN



Forming process of bending that can hit continuously along the sheet.

Used for the overlaying the sheet.

**NOTE**

- 1) Please indicate the each dimension when you order.
- 2) We can make the tool that can bend along the curve shape. And also we can make the tool that can bend at the one hit.

For More information,  
 please contact  
 CONIC tool sales desk.

**CONIC Co., Ltd.**  
 10-5 Taiheidai, Shoo-cho, Katsuta-gun,  
 Okayama 709-4321 Japan  
 Email: tools@conic.co.jp  
<https://www.conic.co.jp>

**CONIC PRECISION Co., Ltd.**  
 55/22 Moo 4, Buengkumphroy, Lumlukka,  
 Phatumthani 12150 Thailand  
 TEL: (662) 159-9870 FAX: (662) 159-9872  
 Email: conic\_thai@conic.co.jp